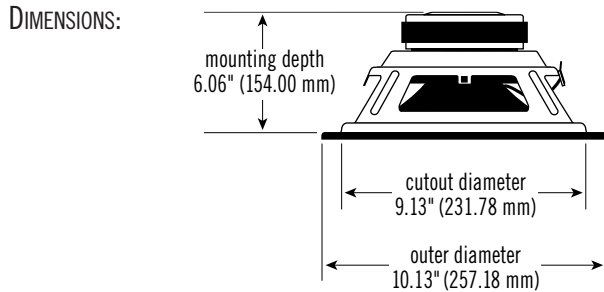
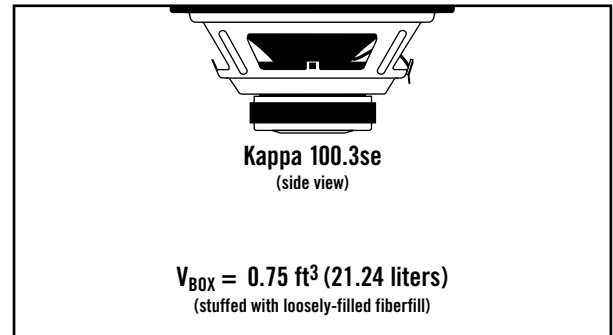


SPECIFICATIONS

DIAMETER:	10" (254.0 mm)
SENSITIVITY (2.83 V @ 1m):	90 dB
POWER HANDLING:	275 W _{RMS} (1,100 W _{PEAK})
FREQUENCY RESPONSE:	20 ~ 250 Hz
NOMINAL IMPEDANCE:	4 OHMS
VOICE-COIL DIAMETER:	2.0" (50.0 mm)



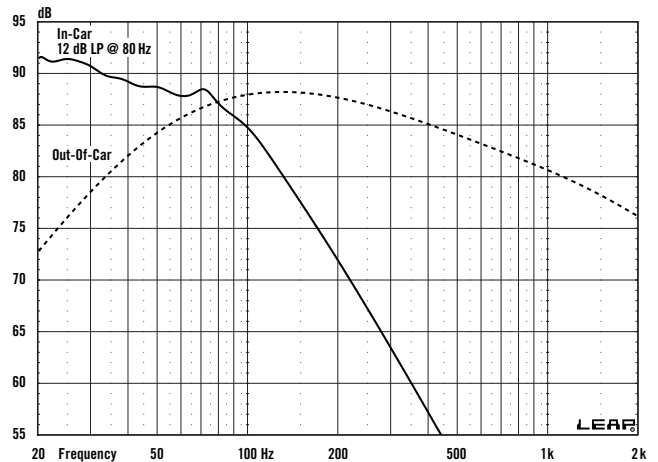
SEALED BOX VOLUME (INCLUDES DRIVER DISPLACEMENT)



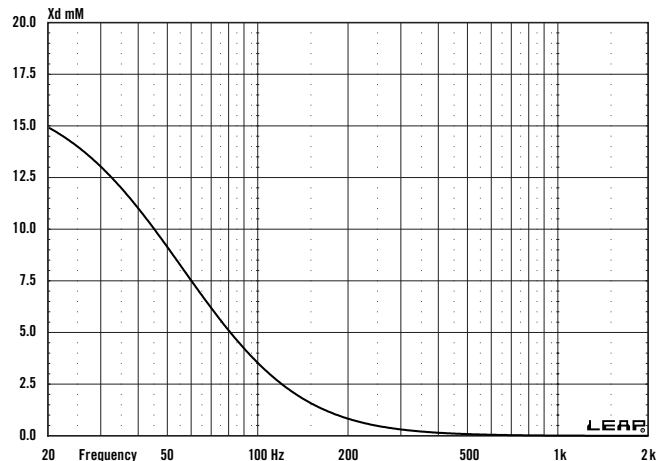
THIELE-SMALL PARAMETERS

VOICE COIL DC RESISTANCE:	R _{EVC} (OHMS)	3.82
VOICE COIL INDUCTANCE @ 1 kHz:	L _{EVC} (MH)	2.13
DRIVER RADIATING AREA:	S _D (IN ²)	49.60
	S _D (CM ²)	320.00
MOTOR FORCE FACTOR:	BL (TM)	15.41
COMPLIANCE VOLUME:	V _{AS} (FT ³)	0.96
	V _{AS} (LITERS)	27.07
SUSPENSION COMPLIANCE:	C _{MS} (µM/N)	186.17
MOVING MASS, AIR LOAD:	M _{MS} (GRAMS)	145.54
MOVING MASS, DIAPHRAGM:	M _{MD} (GRAMS)	142.25
FREE-AIR RESONANCE:	F _S (HZ)	30.58
MECHANICAL Q:	Q _{MS}	6.43
ELECTRICAL Q:	Q _{ES}	0.45
TOTAL Q:	Q _{TS}	0.42
MAGNETIC-GAP HEIGHT:	H _{AG} (IN)	0.39
	H _{AG} (MM)	10.00
VOICE-COIL HEIGHT:	H _{VC} (IN)	1.47
	H _{VC} (MM)	37.00
MAXIMUM EXCURSION:	X _{MAX} (IN)	0.53
	X _{MAX} (MM)	13.50

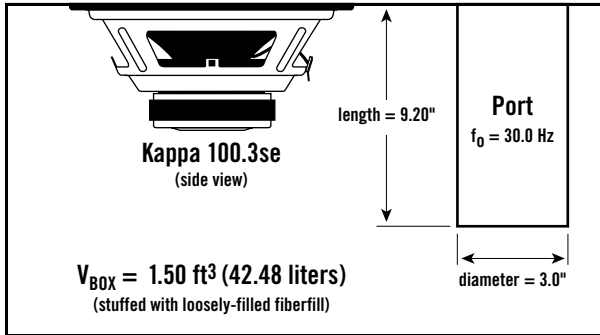
SEALED FREQUENCY RESPONSE @ 2.83 V



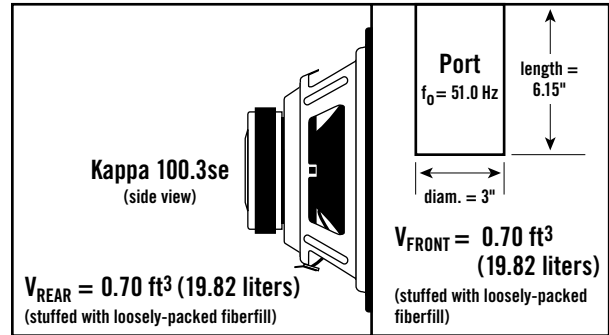
SEALED TRANSDUCER EXCURSION @ 275 W



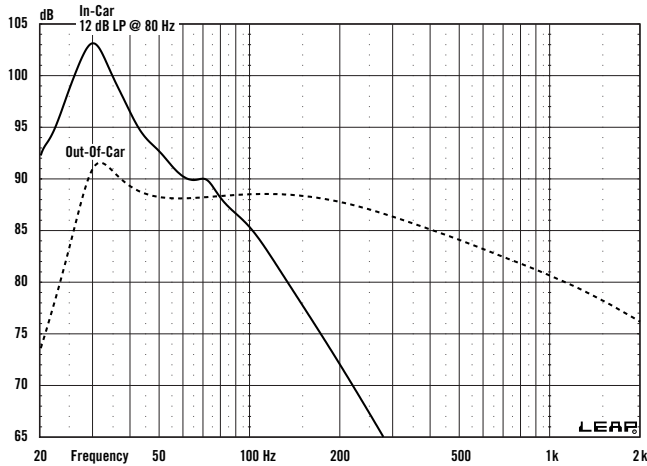
**VENTED BOX VOLUME
(INCLUDES DRIVER DISPLACEMENT)**



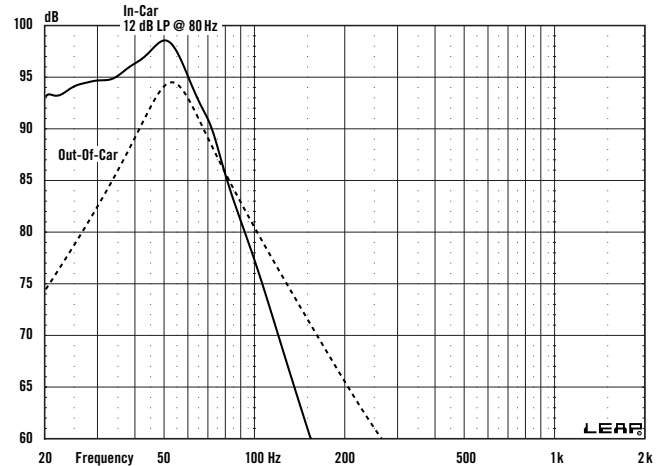
**SEALED BANDPASS BOX VOLUME
(INCLUDES DRIVER DISPLACEMENT)**



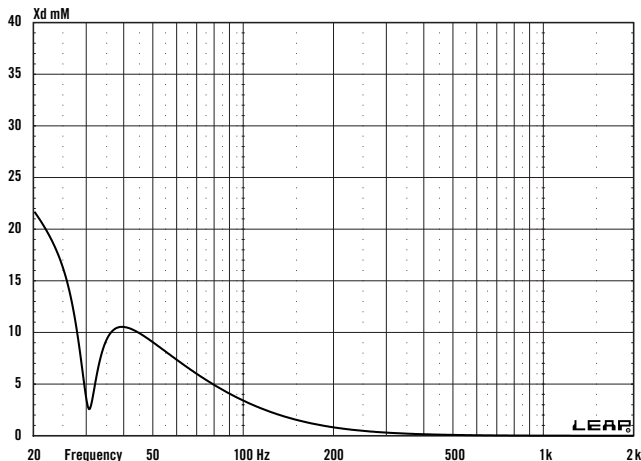
**VENTED
FREQUENCY RESPONSE @ 2.83 V**



**SEALED BANDPASS
FREQUENCY RESPONSE @ 2.83 V**



**VENTED
TRANSDUCER EXCURSION @ 275 W**



**SEALED BANDPASS
TRANSDUCER EXCURSION @ 275 W**

